



**Badan Peguam Malaysia
Malaysian Bar**

**Circular No 146/2026
Dated 7 May 2026**

To Members of the Malaysian Bar and pupils in chambers

MyBar Games 2026 (Kelantan | 12 and 13 June 2026)

We refer to [Circular No 118/2026](#) dated 6 Apr 2026.

MyBar Games 2026 is hosted by the Kelantan Bar Committee and will be held in Kelantan on 12 and 13 June 2026 (Friday and Saturday). It is with great pleasure that we invite all Members of the Bar and pupils in chambers to participate in this special sports event.

The details of the sports / games being played at MyBar Games 2026 are as follows:

No	Sport / Event	Venue	Time
12 June 2026 (Friday)			
(1)	Darts	Dewan Jubli Perak Kota Bharu, Kelantan	3:00 pm to 9:00 pm
(2)	E-Sports Category 1: Mobile Legends (Mobile) Category 2: FC 26 (PlayStation 5) Category 3: Tekken 8 (PlayStation 5)	Dewan Jubli Perak Kota Bharu, Kelantan	3:00 pm to 11:00 pm
(3)	Chess	Dewan Jubli Perak Kota Bharu, Kelantan	3:00 pm to 10:00 pm
(4)	Pickleball	91 Pickleball Clubhouse (AEON Mall Level 1) Kota Bharu, Kelantan	3:00 pm to 9:00 pm
(5)	Snooker	Muhibbah Snooker Kota Bharu, Kelantan	3:00 pm to 11:00 pm

13 June 2026 (Saturday)			
(6)	Football (Premier)	Kampus Perubatan Universiti Sains Malaysia Kota Bharu, Kelantan	8:00 am to 5:00 pm
(7)	Football (Veteran)	Kampus Perubatan Universiti Sains Malaysia Kota Bharu, Kelantan	8:00 am to 5:00 pm
(8)	Cross-Country	Kampus Perubatan Universiti Sains Malaysia Kota Bharu, Kelantan	6:00 am to 9:00 am
(9)	Volleyball	Gelanggang Bola Tampar Kompleks Sekolah-Sekolah Wakaf Mek Zainab Kota Bharu, Kelantan	9:00 am to 4:00 pm
(10)	Ladies' Futsal	De Stadium Futsal KB (Wakaf Bharu) Taman Sri Rokma, 16210 Tumpat, Kelantan	9:00 am to 1:00 pm
(11)	Badminton	Dewan Badminton Tengku Anis Pengkalan Chepa, Kota Bharu, Kelantan	9:00 am to 5:00 pm
(12)	Table Tennis	Kompleks Mahkamah Kota Bharu Bandar Baru Tunjung, Jalan Pasir Mas-Salor, 15100 Kota Bharu, Kelantan	8:00 am to 3:00 pm
(13)	Netball	Kompleks Belia dan Sukan Negeri Kelantan Kota Bharu, Kelantan	8:00 am to 3:00 pm
(14)	Golf	Kelantan Golf & Country Club	8:30 am to 1:00 pm
13 June 2026 (Saturday)			
	Closing Dinner	Dewan Jubli Perak Kota Bharu, Kelantan	7:30 pm to 11:00 pm

*Bowling will be held in Ipoh, Perak on 6 June 2026 (Saturday).

*Participants are advised to dress modestly in accordance with local dress codes and adhere to the no-alcohol policy applicable to all premises, hotels and sporting venues.

If you are interested to participate, please contact your respective State Bar Sports Committee Chairperson(s).

Click [here](#) (see page 7 onwards) to view the Rules for the MyBar Games 2026, and the rules, formats and participation forms for each sport / game.

Kindly note that participants for golf must pay for their own green fees (as per the norm).

All State Bars must submit completed participation forms together with a master list (as per the Excel template to be set and circulated by the Bar Council Sports Committee) to the Kelantan Bar Committee by email to kelantanbar@yahoo.com on or before **20 May 2026 (Wednesday)**. There must be a minimum of **five** State Bars participating in order for a sport / game to be played.

Accommodation

The Kelantan Bar Committee has made the relevant arrangements, as follows:

MyBar Games 2026 | Hotel Preferred Rates

No	Hotel	Room Type	Rate (per room per night)	Booking Details
(1)	Renai Hotel Kota Bharu Address: Jalan Sultan Yahya Petra, Kota Sri Mutiara, 15150 Kota Bharu, Kelantan	King/Twin Deluxe Room – Single/Double (with breakfast)	RM248.00 nett	For bookings, please contact the hotel at 09-7462233 to access preferred rates.
		Junior Suite – Single/Double (with breakfast)	RM445.00 nett	
		Kota Bharu Suite – Single/Double (with breakfast)	RM545.00 nett	
		Executive Premier King/Twin – Single/Double (with breakfast)	RM345.00 nett	
		Executive Junior Suite – Single/Double (with breakfast)	RM485.00 nett	
		Executive Kota Bharu Suite – Single/Double (with breakfast)	RM585.00 nett	
		Club Deluxe King/Twin – Single (with breakfast)	RM495.00 nett	
		Club Deluxe King/Twin – Double (with breakfast)	RM525.00 nett	
		Club Junior Suite – Single/Double (with breakfast)	RM595.00 nett	
		Club KB Suite – Single/Double (with breakfast)	RM695.00 nett	
Executive Suite – Single/Double (with breakfast)	RM888.00 nett			

(2)	Ibis Styles Kota Bharu Address: 184 Lorong Minyak Gas, Jalan Sultanah Zainab, 15050 Kota Bharu, Kelantan	Superior Room – Double/Twin (with 2 pax breakfast)	RM195.00 nett	<ul style="list-style-type: none"> • Use the booking code “Mv Bar 2026” to access preferred rates. • For bookings, please contact Asiken at Asiken.apandi@acor.com
(3)	Crystal Lodge Hotel Address: 124, Jalan Che Su, 15000 Kota Bharu, Kelantan	Single Room – 1 Single Bed (with breakfast) Standard Double – 1 Queen Bed (with breakfast) Standard Twin – 2 Single Beds [Windowless] (with breakfast) Standard Family – 1 King and 1 Single Bed / 3 Single Beds [Windowless] (with breakfast)	RM109.00 nett RM139.00 nett RM149.00 nett RM229.00 nett	For bookings, please contact the hotel at 09-7470888 to access preferred rates.
		Superior Double / Twin – 1 King Bed / 2 Single Beds (with breakfast) Superior Family – 3 Single Beds (with breakfast) Superior Triple – 1 King and 1 Single Bed (with breakfast) Deluxe Double – 1 King Bed (with breakfast) Deluxe Family – 2 Queen Beds (with breakfast) Deluxe Family River View – 2 King Beds / 1 King and 2 Single Beds (with breakfast)	RM189.00 nett RM249.00 nett RM299.00 nett RM259.00 nett RM349.00 nett RM389.00 nett	

(4)	<p>H Elite Design Hotel</p> <p>Address: AG-G-09, Al-Waqaf @ Tunjung, Jalan Kuala Krai, 16010 Kota Bharu, Kelantan</p>	<p>Premium Lifestyle King (with 2 breakfasts)</p> <p>Premium Lifestyle Twin (with 2 breakfasts)</p> <p>Deluxe/Superior King (with 2 breakfasts)</p> <p>Deluxe/Superior Twin (with 2 breakfasts)</p> <p>Deluxe Triple (with 3 breakfasts)</p> <p>Deluxe Suite Triple (with 3 breakfasts)</p> <p>Deluxe Quad (with 4 breakfasts)</p> <p>Premium Suite King (with 2 breakfasts)</p>	<p>RM240.00 nett</p> <p>RM240.00 nett</p> <p>RM180.00 nett</p> <p>RM180.00 nett</p> <p>RM280.00 nett</p> <p>RM290.00 nett</p> <p>RM340.00 nett</p> <p>RM300.00 nett</p>	<p>For bookings, please contact the hotel at 09-7405757 to access preferred rates.</p>
(5)	<p>Crown Garden Hotel</p> <p>Address: PT 302 & 303, Jalan Kebun Sultan, 15300 Kota Bharu, Kelantan</p>	<p>Standard Single – 1 Single Bed [no window] (with 1 breakfast)</p> <p>Superior Twin – 2 Single Beds [with window] (with 2 breakfasts)</p> <p>Superior Double – 1 Queen Bed [no window] (with 2 breakfasts)</p> <p>Superior Queen – 1 Queen Bed [with window] (with 2 breakfasts)</p> <p>Deluxe Twin – 2 Single Beds [with window] (with 2 breakfasts)</p> <p>Deluxe Double – 1 King Bed [no window] (with 2 breakfasts)</p> <p>Deluxe Junior – 1 King Bed [with window] (with 2 breakfasts)</p> <p>Deluxe Premier – 1 King Bed [with window] (with 2 breakfasts)</p> <p>Family Room – 1 Queen Bed and 1 Single Bed [with window] (with 3 breakfasts)</p>	<p>RM138.00 nett</p> <p>RM168.00 nett</p> <p>RM156.00 nett</p> <p>RM175.00 nett</p> <p>RM178.00 nett</p> <p>RM238.00 nett</p> <p>RM258.00 nett</p> <p>RM268.00 nett</p> <p>RM260.00 nett</p>	<p>For bookings, please contact the hotel at 09-7432228 to access preferred rates.</p>

		Executive Suite – 1 King Bed [with window] (with 2 breakfasts)	RM360.00 nett	
(6)	Perdana Hotel Kota Bharu Address: Jalan Mahmood, 15200 Kota Bharu, Kelantan	Presidential Suite (double) (with breakfast)	RM3,864.00 nett	For bookings, please contact the hotel at 017-9508684 (Ms Nik Nurul Aqilah Wan Zain) or email saera.m@attanahotel.com to access preferred rates.
		Perdana Suite (double) (with breakfast)	RM 656.40 nett	
		Deluxe Single (with breakfast) Deluxe Double (with breakfast)	RM 283.60 nett RM 321.60 nett	
(7)	Grand Riverview Hotel Address: Jalan Post Office Lama, 15000 Kota Bharu, Kelantan	Single/Twin Sharing (with 2 breakfasts)	RM 191.00 nett	<ul style="list-style-type: none"> • Use the booking code “KELBAR” to access preferred rates. • For bookings, please contact the hotel at 09-7439988 to access preferred rates.

For enquiries, kindly contact:

Habib Rahman b Muzeliraman; Mohd Khuzaimi b Mohd Salleh; or Ahmad Firdaus b Abdul Hamid; Co-Chairpersons of the Kelantan Bar Sports Sub-Committee and Co-Organising Chairpersons of MyBar Games 2026, by telephone at 019-8475986; 019-9836910; or 016-9221784; or by email at sukankelbar@gmail.com.

Alternatively, you may also contact G Shagela Nair, Officer, Malaysian Bar Secretariat, by telephone at 03-2050 2099, or by email at shegi@malaysianbar.org.my.

Please note that the Bar Council Sports Committee reserves the rights to modify, cancel, reschedule or postpone any sport / event, should circumstances arise that make such action necessary.

Thank you.

Peter-Douglas Ling and Alvin Oh Seong Yew
Co-Chairpersons
Bar Council Sports Committee

RULES OF THE MYBAR GAMES

The following rules shall operate and be applicable to all sports and games in the MyBar Games (“MyBG”) and be referred to as the MyBG Rules.

1. Eligibility Rules

- 1.1 Only practising lawyers and pupils in chambers registered with the Malaysian Bar shall be eligible to participate in the MyBG. Any pupil in chambers/person who has completed his/her 9-month pupillage but is yet to be admitted or has been admitted but is without a valid practising certificate is eligible provided that the MyBG date(s) falls within 15 months from the date he/she commenced his/her pupillage. A practising lawyer shall mean a lawyer holding a valid practising certificate as at the date of the MyBG.
- 1.2 All State Bar Sports Committee Chairpersons shall ensure that all participants of their respective teams in the MyBG comply strictly with these Eligibility Rules and all eligibility verification measures stipulated by the Bar Council Sports Committee (“Sports Committee”) and/or the Organising Committee of the hosting State Bar (“Organising Committee”) from time to time, such as wearing a designated wristband, during their participation in any sport in the MyBG. The Sports Committee and/or Organising Committee shall have the power to bar any participant who fails to comply with the applicable eligibility verification measures from participating or continuing to participate in any sport in the MyBG.
- 1.3 The Sports Committee and/or the Organising Committee shall also have the authority to verify the identity of any participant prior to, during, or after the play of any sport in the MyBG for the purposes of determining his/her eligibility pursuant to these Eligibility Rules.
- 1.4 Where it is clear that a team has included an ineligible participant in its team, the Sports Committee and/or the Organising Committee shall have the power to immediately disqualify such team from further participating in the MyBG in cases where the identity of the ineligible person has been clearly established. In such event, all results of the team so disqualified shall be nullified with no scores attributed to the disqualified team and the scores, points and standings of the teams shall be tallied in a manner as if the disqualified team had not taken part at all.

2. Home State and Import Rules

- 2.1 Practising lawyers/pupils in chambers shall play for the State Bar that they currently pay subscriptions to/undergo their pupillage at/are last registered with as at the closing date for submission of the MyBG participation forms as announced by the Sports Committee (“Home State”).
- 2.2 The State in which a member has his/her office address as per the Bar Council Legal Directory shall be deemed to be that member’s Home State. However, any practising lawyer who has valid subscriptions to more than one State may choose to represent any one of those States.

- 2.3 A practising lawyer / pupil in chambers is allowed to play for any other State (“Importing State”) other than his/her Home State(s), **PROVIDED STRICTLY THAT:**
- i) the Home State(s) has not selected him/her or the Home State(s) is/are not fielding a team for that particular sport; and
 - ii) he/she obtains a release letter (as per the format appended herewith) from the Sports Committee Chairperson of his/her Home State.
- 2.4 For the purposes of Rule 2.3 (i) above, the Home State Sports Committee Chairperson shall set reasonable conditions for the selection process and may refuse to release any practising lawyer/pupil in chambers who fails to fulfil those conditions.
- 2.5 In any event, any practising lawyer / pupil in chambers may appeal to the Sports Committee in writing within 3 working days from the decision of his/her Home State Sports Committee Chairperson’s refusal to provide him/her with a release letter and the decision of the Sports Committee which shall be given in writing within 7 working days from the date of receipt of the appeal shall be final and binding.
- 2.6 The Importing State shall submit the said release letter and/or a copy of the decision of the Sports Committee made pursuant to Rule 2.5 above to the Organising Committee as attachment to the relevant MyBG participation form on or before the closing date for submission of the MyBG participation forms.
- 2.7 In any event, the number of imported player(s) in any team shall not exceed 20% of the total number of the team’s registered members / players (including the imported player(s) as illustrated below:

Registered Team Size (including the imported player(s))	Maximum number of imported player(s) allowed
4 and below	0
From 5 up to 9	1
From 10 up to 14	2
From 15 up to 19	3

- 2.8 The Sports Committee and/or the Organising Committee shall have the authority to verify the identity of any participant and ask for the production of release letter prior to, during or after the play of any sport in the MyBG for the purposes of determining the compliance by any team of the Home State and Import Rules.
- 2.9 Where it is clear that a team has been in breach of the Home State and Import Rules, the Sports Committee and/or the Organising Committee shall have the power to immediately disqualify such team from further participating in the MyBG, and all results of the team so disqualified shall also be nullified per Rule 1.4 above.

3. Combined Teams Rules

- 3.1 Upon application to the Sports Committee, any 2 State teams of a particular sport may be allowed to combine and form a team to contest in that sport (“Combined Team”) PROVIDED STRICTLY THAT these 2 State teams would not otherwise be able to raise the minimum number of players to participate. The 2 state teams may also apply to utilise the Import Rules in forming the Combined Team.
- 3.2 In the deliberation process of an application for Combined Team, the Sports Committee shall take into account the views of the national convenor in charge of that sport. The decision of the Sports Committee shall be given to the 2 applicant States in writing within 7 working days from the date of receipt of the application and be final and binding.
- 3.3 Any point earned by the Combined Team will be split equally and awarded to the respective States per Rule 5.2 below.

4. Rules for Extra State Teams

- 4.1 Upon application to the Sports Committee, any State may be allowed to field an extra team to contest in a particular sport (except Cross Country, Darts, and Golf) PROVIDED STRICTLY THAT there is no imported player in both the 2 teams fielded.
- 4.2 In the deliberation process of an application to field an extra team, the Sports Committee shall take into account the views of the national convenor in charge of that sport. The decision of the Sports Committee shall be given to the applicant State in writing within 7 working days from the date of receipt of the application and be final and binding.
- 4.3 If a State shall enter 2 teams in a particular sport, the teams shall be subject to Rule 5.3 below.

5. Points and Placing System

- 5.1 The teams that achieve 1st, 2nd and 3rd placings in any sport (“the top 3 placings”) shall be awarded 5, 3 and 2 points respectively.
- 5.2 In the event of a Combined Team achieving one of the top 3 placings, the points awarded shall be split equally between the 2 component States.
- 5.3 In the event that a State enters 2 teams pursuant to Rule 4 above and both the teams achieve top 3 placings:
 - i) no points shall be awarded to the lower-placed of the State’s 2 teams (“Lower-Placed Team”); and
 - ii) the top 3 placings shall be adjusted by excluding the Lower-Placed Team, with the teams placed below the Lower-Placed Team moving up 1 level; and
 - iii) the points to be awarded per Rule 5.1 above shall be awarded in accordance with the adjusted top 3 placings.

- 5.4 A tally of the total points won by each State shall determine the overall Champion, 1st Runner-Up, 2nd Runner-Up, and all other placings in the MyBG.
- 5.5 In the event of a tie in the total points for 2 States, the State with the most 1st placed teams shall be deemed the winner. Should this still result in a tie, the State with the most 2nd placed teams shall be deemed the winner.

6. General Rules

- 6.1 Every game in a particular sport shall be played with the highest level of sportsmanship and in accordance with the formats and rules, including player registration rules, set out by the national convenors in charge of that particular sport as published in the current Bar Council Circular on the MyBG (“Specific Rules”) or notified to the teams prior to the start of the competition. In the event of a conflict between the Specific Rules and the MyBG Rules, the MyBG Rules shall prevail.
- 6.2 Any incident that occurs during the game in any sport shall be dealt with by the officials of the game in accordance with the applicable rules for that sport and relevant Specific Rules.
- 6.3 All complaints/protests regarding any matter arising from any sport/game, including any dispute with regard to the Specific Rules and the MyBG Rules, shall be referred to and resolved by the national convenor of that sport in the first instance in accordance with the Specific Rules and/or the MyBG Rules, whichever is applicable.
- 6.4 In the event the national convenor is unable to resolve or deal with the complaint/protest, the complaint/protest shall then be referred to the Qualifications and Disputes Panel, subject to Rule 7.3, for its adjudication and whose decision on the matter shall be final.
- 6.5 The dinner hosted by the Organising Committee is open to all registered participants, Organising Committee members and guests invited by the Bar Council, Sports Committee or the Organising Committee only.
- 6.6 Any application to the Sports Committee pursuant to the MyBG Rules shall be made in writing and at least 3 weeks before the closing date for submission of the MyBG participation forms as announced by the Sports Committee.

7. The Qualifications and Disputes Panel

- 7.1 The Qualifications and Disputes Panel (“Panel”) shall consist of at least three members selected from the Sports Committee.
- 7.2 The empanelling of the members of the Panel shall be decided by the Chairperson(s) of the Sports Committee and be notified to all State Sports Committee Chairpersons prior to the MyBG.
- 7.3 The Panel shall convene, where necessary, to adjudicate on matters concerning compliance of the MyBG Rules and any complaint/protest referred by the national convenor pursuant to Rule 6.3, and any other matters arising that requires a decision

to be made by the Panel. Any complaint/protest lodged with the Panel shall be made, within 1 month from (inclusive) the last date of the MyBG, in writing and accompanied by a fee of RM200 deposited by the complainant/complaining State into the Sports Fund. The said deposit may be waived by the Sports Committee in circumstances it deems fit and shall be refunded if the complaint/protest is allowed. In the event the complaint/protest is rejected by the Panel, the fee shall be forfeited.

- 7.4 Every complaint/protest lodged with the Panel shall be resolved with a decision by the Panel within 6 months from the date of receipt of the complaint/protest and in any event not more than 8 months from the date of receipt of the complaint/protest, subject to having received reply(ies) from the respondent or other relevant parties within 1 month from the date of receipt of the complaint/protest. In the event the respondent or other relevant parties fail to respond within the timeline stipulated, the Panel shall be entitled to make a decision in the absence of such response. In the absence of the relevant replies within the said timelines from the respondent or other relevant parties, the Panel shall have the full discretion to make a decision on the matter and/or impose any appropriate penalty(ies) on the respondent. For the avoidance of doubt, the timelines are subject to extension by the Sports Chairperson(s). The Panel will be administratively assisted by the Sports Committee and the Malaysian Bar Secretariat.
- 7.5 The Panel shall have the powers to call for information and documents and request for assistance by any relevant individual(s) and State Bar Committee(s) in order to inquire into any matter within its purview.
- 7.6 All decisions made by the Panel shall be final and binding and be informed to the Sports Committee for its ratification in the first instance and thereafter to the relevant individual(s) and State Bar Committee(s), including the complainant.

8. Penalty

- 8.1 Any individual or team found by the Panel to be in breach of the MyBG Rules and/or the Specific Rules may at the discretion of the Panel be subject to the following penalty(ies):
- (i) disqualification with all the results of that individual or that team nullified and any medal/prize/trophy awarded shall be returned to the Organising Committee; and/or
 - (ii) ban from participating in the MyBG for that particular sport in the next edition of the MyBG after the issuance of a notice by the Sports Committee to all State Bar Sports Committee Chairpersons.
- 8.2 In the event that the said individual or team is found to have committed the same breach of the MyBG Rules and/or the Specific Rules again in the immediate next edition of the MyBG after the aforesaid ban has been served, then that individual or team shall be banned from participating in the MyBG for that particular sport for the subsequent 2 editions of the MyBG after the issuance of a notice by the Sports Committee to all State Bar Sports Committee Chairpersons.

- 8.3 For the avoidance of doubt, the Panel shall have the full discretion to impose any other penalty(ies) it deems fit as a substitute to the penalties above after considering the nature and circumstance of the breach.
- 8.4 In any case where an individual or team is found by the Panel to be in breach of the MyBG Rules and/or the Specific Rules, the Bar Council shall have the full discretion to deny any claim for the MyBG subsidy by the said individual or any member(s) of the said team or to order a refund of the MyBG subsidy which has been paid, and upon such order, such subsidy shall be refunded.

**Format of Letter of Release
(Rule 2 of the MyBG Rules)**

To:
The Sports Committee
Malaysian Bar

Date:
Re: Letter of Release – MyBar Games [*current year*]
Name of Player :
BC/Petition No. :
Firm Name :

[repeat the above if more than 1 player]

I refer to Rule 2 of the Rules of the MyBar Games (“MyBG”).

I confirm that the above-named Player(s) (“Released Player(s)”) who is/are eligible to participate in the MyBG representing our State Bar, the [**State**] Bar, is/are released from playing for our State Bar for [*the specific sport*] in the MyBG due to the following reason(s):

- a) The Released Player(s) has/have not been selected by our State Bar for the mentioned sport.
- b) Our State Bar is not fielding a team for the mentioned sport;
(delete whichever inapplicable)

I also confirm that no complaint will be made by our State Bar Committee or any of our teams participating in the MyBG if the Released Player(s) is/are selected to play for another State Bar in the mentioned sport.

Yours faithfully,

----- (signature)

Name:
Sports Chairperson
[**State**] Bar

NB: Please insert relevant information in the square brackets []

BADMINTON FORMAT AND RULES

1. LEAGUE FORMAT

- Example: 4-8 teams (or more) participation
- Every game winner gets 1 point
- The team with the highest points will be declared overall winner
- If there is a tie in points, then the team with the most sets won will be declared overall winner

TEAM	A	B	C	D	E	Total sets won or lost	Total Points	Placing
A								
B								
C								
D								
E								

2. GROUP FORMAT

- Example: 2 groups of 4 teams each (or more)
- Every match winner gets 1 point
- The team with the highest Total Points will be declared the winner
- If there is a tie in Total Points, then the team with the most sets won will be declared the winner
- The previous winner and runner-up will be separated and treated as seeded teams in different groups
- The winners of each group will play each other to determine the 1st and 2nd places. The runner-ups of each group will play each other to determine the 3rd place. There will be no cross-over semi-final matches

Group No. 1

TEAM	A	B	C	D	Total sets won or lost	Total Points	Placing
A							
B							
C							
D							

Group No. 2

TEAM	E	F	G	H	Total sets won or lost	Total Points	Placing
E							
F							
G							
H							

General Rules for MyBar Games Badminton

- (a) Mixed Team Event.
- (b) Format (5 matches): 3 Men's Doubles (including 1 Veteran pair age 45 and above)
1 Women's Doubles
1 Mixed Doubles
- (c) Each team must register at least 7 men players and 3 women players up to a maximum of 15 registered players. 20% of imported players are allowed in a team subject to the eligibility rules and release letters obtained. There will be no repeat of players.
- (d) If there are more than 8 teams taking part, teams may be divided into 2 groups to play on a round-robin system:-
- The previous winner and runner-up will be separated and treated as seeded teams in different groups
 - Each win will be awarded 1 point
 - The overall winner of each group will be the team with the highest number of points
 - During the group stage, in the event of a tie, the overall winner and/or runner-up of the group will be decided on count back of number of sets won and in the event of a tie, the team with the better head-to-head record will be declared as winner
- (e) The winners of each group will play each other to determine the 1st and 2nd places. The runner-ups of each group will play each other to determine the 3rd place. There will be no cross-over semi-final matches.
- (f) If there are less than 8 teams taking part, the teams may play on a round robin system and the winner will be the team with the highest number of points.
- (g) Punctuality is of utmost importance and every team must be on court and ready to play when the umpire calls for the game to start.
- (h) No need to field pairs according to strength of players.
- (i) Each tie to have 5 matches and only 1 set of 31 points per match to be played.
- (j) Each state convenor must abide by the rules and format herein and the National Convenor shall have the final say in the drawing up of the rules and format before and/or during the games after consultation with all state convenors. In the event of any dispute, the National Convenor shall have the final say.

MyBar Games 2026, Kelantan (12 and 13 June 2026)

PARTICIPATION FORM

Badminton

State:

Name of Captain:

Players:

No	Name	NRIC No	BC No / Petition No
(1)			
(2)			
(3)			
(4)			
(5)			
(6)			
(7)			
(8)			
(9)			
(10)			
(11)			
(12)			
(13)			
(14)			
(15)			

As the State Bar Sports Committee Chairman, I hereby confirm that the above listed players are currently in practice/chambering and are eligible to take part in the MyBar Games 2026. The Team Captain and players have been duly notified of the eligibility rules and no ineligible players will participate.

Name:

State:

The personal information that you provide to the Malaysian bar, whether now or in the future, may be used, recorded, stored, disclosed or otherwise processed by or on behalf of the Malaysian bar for the purposes of maintenance of a database for this matter, research and audit, and such ancillary services as may be relevant.

BOWLING

FORMAT AND RULES

1. For the purpose of these Games, the events for bowling will be as follows:
 - i. Men's Singles (2 players each state)
 - ii. Women's Singles (1 player each state)
 - iii. Men's doubles (1 pair each state)
 - iv. Women's Doubles (1 pair each state)
 - v. Mixed Doubles (1 pair each state)
 - vi. Baker Format (1 team each state consisting of 5 players. Must have at least 2 women players)
2. A player is only allowed to play a maximum of two (2) events only, not including the Baker Format event.
3. Only practising lawyers with a valid Practising Certificate and Chambering Students are allowed to participate.
4. Each state must submit the names of their players on or before the date given. No registration of players will be entertained after the said date. Once submitted, no changes will be allowed unless permitted by the Organising Committee at their own discretion.
5. The Organising Committee holds the right to make any changes to the Rules and Format provided that the said changes must be informed to the Convenor and/or Manager of each participating state before the commencement of the tournament.
6. If there is any dispute whatsoever during the Games, the final decision will be made by the Organising Committee and no further complaints and/or protests will be entertained.

MEN'S SINGLES EVENT

- i. Each state will field 2 men players who will play individually.
- ii. Each player will play a total of 2 games.
- iii. The player with the highest total pinfalls will be declared the winner.
- iv. Winner – 5 points
2nd Place – 3 points
3rd Place – 2 points

WOMEN'S SINGLES EVENT

- i. Each state will field 1 woman player.
- ii. Each player will play a total of 2 games.
- iii. The player with the highest total pinfalls will be declared the winner.
- iv. Winner – 5 points
2nd Place – 3 points
3rd Place – 2 points

MEN'S DOUBLES EVENT

- i. Each state will field 1 pair consisting of 2 men players.
- ii. Each player will play a total of 2 games.
- iii. The pair with the highest combined total pinfalls will be declared the winner.
- iv. Winner – 5 points
2nd Place – 3 points
3rd Place – 2 points

WOMEN'S DOUBLES EVENT

- i. Each state will field 1 pair consisting of 2 women players.
- ii. Each player will play a total of 2 games.
- iii. The pair with the highest combined total pinfalls will be declared the winner.
- iv. Winner – 5 points
2nd Place – 3 points
3rd Place – 2 points

MIXED DOUBLES EVENT

- i. Each state will field 1 pair consisting of 1 man and 1 woman player.
- ii. Each player will play a total of 2 games.
- iii. The pair with the highest combined total pinfalls will be declared the winner.
- iv. Winner – 5 points
2nd Place – 3 points
3rd Place – 2 points

BAKER FORMAT

- i. Each state will field 1 team comprising of 5 players (must have at least 2 women players).
- ii. The sequence of players will be determined by the team itself in the registration form. No changes of sequence will be allowed after the registration form is submitted.
- iii. Player 1 will bowl frames 1 and 6. Player 2 will bowl frames 2 and 7. Player 3 will bowl frames 3 and 8. Player 4 will bowl frames 4 and 9. Player 5 will bowl frames 5 and 10.
- iv. Each team will play a total of 2 games.
- v. The team with the highest combined total pinfalls will be declared the winner.
- vi. Winner – 5 points
2nd Place – 3 points
3rd Place – 2 points

TIE BREAKER

Should a tie occur in any event mentioned above to determine the Winner, 2nd Place and/or 3rd Place only, a **9th and 10th frame roll-off rule will apply. This will be used and repeated until the tie(s) is/are broken.**

FINAL RESULT

The team with the most points will be declared as Champion.

MyBar Games 2026, Kelantan (12 and 13 June 2026)

PARTICIPATION FORM

Bowling

STATE : _____

NAME OF CAPTAIN : _____

PLAYERS:

MEN'S SINGLES

1. _____ (B/C NO: _____)

2. _____ (B/C NO: _____)

WOMEN'S SINGLES

1. _____ (B/C NO: _____)

MEN'S DOUBLES

1. _____ (B/C NO: _____)

2. _____ (B/C NO: _____)

WOMEN'S DOUBLES

1. _____ (B/C NO: _____)

2. _____ (B/C NO: _____)

MIXED DOUBLES

1. _____ (B/C NO: _____)

2. _____ (B/C NO: _____)

BAKER FORMAT

1. _____ (B/C NO: _____)
2. _____ (B/C NO: _____)
3. _____ (B/C NO: _____)
4. _____ (B/C NO: _____)
5. _____ (B/C NO: _____)

As the State Bar Sports Committee Chairman, I hereby confirm that the above listed players are currently in practice/chambering and are eligible to take part in the MyBar Games 2026, the Team Captain and players have been duly notified of the eligibility rules and no ineligible players will participate.

Name:

State:

The personal information that you provide to the Malaysian bar, whether now or in the future, may be used, recorded, stored, disclosed or otherwise processed by or on behalf of the Malaysian bar for the purposes of maintenance of a database for this matter, research and audit, and such ancillary services as may be relevant.

CHESS
FORMAT AND RULES

Mixed Team Event

1. Each state team may comprise a minimum of 4 players and a maximum of 5 (including the reserve player)
2. Subject to the number of teams, a Round Robin will be played.
3. Time control is 30 minutes per player to finish.
4. The touch move rule applies
5. The organisers / arbiters reserve the right to make changes deemed necessary. The Arbiter's decision is final.

MyBar Games 2026, Kelantan (12 and 13 June 2026)

PARTICIPATION FORM

Chess

State:

Name of Captain:

Players:

No	Name	NRIC No	BC No / Petition No
(1)			
(2)			
(3)			
(4)			
(5)			

As the State Bar Sports Committee Chairperson, I hereby confirm that the players listed above are currently in practice or are pupils in chambers, and are thus eligible to take part in the MyBar Games 2026. The Team Captain and players have been notified of the eligibility rules, and no ineligible players will be allowed to participate.

Name:

State:

The personal information that you provide to the Malaysian bar, whether now or in the future, may be used, recorded, stored, disclosed or otherwise processed by or on behalf of the Malaysian bar for the purposes of maintenance of a database for this matter, research and audit, and such ancillary services as may be relevant.

CROSS-COUNTRY FORMAT AND RULES

1. Running distance will be between 3–5 km, to be determined by the Organising State.
2. Each State shall comprise a team with a maximum number of 20 runners (male and female combined).
3. All runners will be flagged off simultaneously.
4. There will be a **cut-off time** based on the average pace per km, which pace will be determined by the National Convenor(s) for Cross-Country every year based on the route and distance. In other words, only the runners who complete the running distance within the cut-off time will be recorded. Runners who do not return to the finish line within the cut-off time will be classified as “DNF (Did Not Finish)”.
 - (a) For example, if the running distance is 5 km, and the average cut-off timing pace is 7 minutes per km, runners will then have to complete the running distance within 35 minutes or below;
 - (b) Runners who return to the finish line after 35:01 will be classified as “DNF”;
 - (c) In the event the determined distance is shorter than 5 km, the average cut-off time will still be based on the pace of 7 minutes per km.
5. For **MYBAR GAMES 2026**, the **average running pace shall not be slower than 7:00 minutes per km** based on the proposed running route and distance of between 4.5 to 4.6 km. Runners must complete the running distance and return to the finish line within 35:00 minutes or below, to avoid being classified as “DNF”.
6. There are two categories of runners – Male Category and Female Category. Each category will be ranked based on their timings in that particular category.
7. Points are only awarded to the top 3 finishing male runners and the top 3 finishing female runners from each State according to his or her finishing position, subject to said runners returning to the finish line within the cut-off time.
 - (a) For example, if a runner finishes in 4th position, then he or she gets 4 points, likewise the 8th place runner gets 8 points.
 - (b) If:
 - State A’s Top 3 male runners’ overall positions based on timing are 2nd, 7th, and 9th respectively.
 - State B’s Top 3 male runners’ overall positions based on timing are 1st, 5th, and 6th respectively.

- State C's Top 3 male runners' overall positions based on timing are 3rd, 4th, and 8th respectively.

In the above example, State A's Male Category earns 18 points, State B Male Category earns 12 points, and State C Male Category earns 15 points.

8. Subject to the cut-off time, if a State does not enter (or finish) with the minimum number of 3 men and 3 female runners to score, then the runners who do finish are assigned a score / point in accordance with the above rules. The balance "absentee" runners required to make up the minimum 3 male and 3 female runners are automatically assigned the positions immediately following the last finisher.

For example:

State A enters 3 male and 2 female runners (ie short of 1 female runner). State B enters 3 male and 3 female runners. State C enters 3 male and 3 female runners. Top 9 male runners (3 from each state) score 1 to 9 points and the top 8 female runners (2 from State A, 3 from State B, and 3 from State C) score 1 to 8 points according to their positions. State A will then be assigned a position of number 9 to make up for the 1 absent female runner, so State A gets 9 points for the absent female.

9. If a State with a team of only the minimum number of 3 male and 3 female runners participating, and one or more of the runners does not return to the finish within the cut-off time, the State will be classified as "DNF (Did Not Finish)".
10. Similarly, even if a State enters with a team comprising the maximum number of 20 runners (male and female runners combined) and only 5 or less of their runners return to the finish line within the cut-off time, the State will also be classified as "DNF (Did Not Finish)".
11. Points - the aggregate of Male Category and Female Category – are totalled, and the State with the **LOWEST** number of points wins.

MyBar Games 2026, Kelantan (12 and 13 June 2026)

PARTICIPATION FORM

Cross Country

State:

Team Captain:

Runners:

No	Name	NRIC No	Gender	BC No / Petition No
1				
2				
3				
4				
5				
6				
7				
8				
9				
10				
11				
12				
13				
14				
15				
16				
17				
18				
19				
20				

As the State Bar Sports Committee Chairman, I hereby confirm that the runners above:

- (i) (to the best of my knowledge) are physically fit and in good health to complete the race distance; and
- (ii) have complied with the Eligibility Rules.

Name:

State:

The personal information that you provide to the Malaysian bar, whether now or in the future, may be used, recorded, stored, disclosed or otherwise processed by or on behalf of the Malaysian bar for the purposes of maintenance of a database for this matter, research and audit, and such ancillary services as may be relevant.

DARTS
FORMAT AND RULES

[1] Objective

- 1.1 The dart tournament to be played at the MyBar Games 2026 is a platform for advocates and solicitors who are dart enthusiasts to connect, interact and play the game of darts in the spirit of friendship and camaraderie.
- 1.2 All participants must adhere to the rules and spirit of the game as outlined herein below.

[2] Team Structure

- 2.1 This tournament will be an open doubles tournament.
- 2.2 Each State Bar is allowed to register a maximum of seven (7) pairs only.
- 2.3 Each pair shall be considered as a “**Team**” and each Team may consist of either:
 - (a) Two (2) Male participants; or
 - (b) One (1) Male and one (1) Female participant; or
 - (c) Two (2) Female participants.
- 2.4 At all times, there can be no swapping of players between Teams and between State Bars after registration.

[3] Eligibility of Participants

- 3.1 To be eligible to participate in this tournament, the participants must meet one of the following criteria:
 - (a) being a member of the Bar with a valid Practising Certificate; or
 - (b) being a Pupil in Chambers registered with the Malaysian Bar.
- 3.2 Subject to paragraphs 3.3 and 3.4 below, each participant shall only compete for the State Bar in which he / she is currently practising or chambering at (“**Home Player**”).
- 3.3 A participant may compete for the State Bar other than the state in which he / she is currently practising or chambering at provided that the said participant obtains a letter of release issued by his / her originating State Bar (“**Imported Player**”).
- 3.4 Each State Bar shall only be allowed to have one (1) Imported Player for three pairs and above. **ie, Imported players are not allowed for any State Bar registering two (2) pairs and below.**

[4] **Game G Match Structure**

- 4.1 There shall be a “**Winners Pool**” and a “**Plate Pool**”.
- 4.2 Every game is played with a 501 format, straight in and double out (“**501 Format**”).

Preliminary Round

- 4.3 All Teams will start with a preliminary round. The format of the preliminary round is as follows:
- (a) Best of three (3) Legs of a 501 format;
 - (b) The participant named First in each Team shall throw a single dart at the bullseye. The Team whose dart lands closest to the center of the bullseye shall start the 1st and 3rd leg whilst the other team shall start the 2nd leg; and
 - (c) The winner of the preliminary round shall qualify to the Winners Pool, whilst the losing team shall qualify to the Plate Pool.

Plate Pool

- 4.4 The Plate Pool shall be played in a Knock-Out format to determine the Winner and Runner-Up for Plate Pool (“**Plate Pool Knock-Out Round**”).
- 4.5 A “Draw” process will be undertaken after the Preliminary Round to determine the Team’s position in the Plate Pool Knock-Out Round.
- 4.6 The Plate Pool Knock-Out Round system shall be as follows:
- (a) Best of Three (3) Legs of a 501 format;
 - (b) The participant named First in each Team shall throw a single dart at the bullseye. The Team whose dart lands closest to the center of the bullseye shall start the 1st and 3rd leg whilst the other team shall start the 2nd leg;
 - (c) The winner of the set shall advance to the next stage; and
 - (d) In the event any Team forfeits the game (for any reason), the other Team shall automatically advance into the next stage and the Team that forfeits shall be deemed to have lost the game.

Winners Pool

- 4.7 The Winners Pool shall be played in a Round Robin system.

4.8 The Round Robin system shall be as follows:-

- (a) Four (4) Teams per Group;
- (b) Each Team in the designated Group shall play against each other;
- (c) Best of Three (3) Legs of a 501 format;
- (d) The participant named First in each Team shall throw a single dart at the bullseye. The Team whose dart lands closest to the center of the bullseye shall start the 1st and 3rd leg whilst the other team shall start the 2nd leg;
- (e) The objective is to score the most points in the Group. Only two (2) teams with the highest points in the designated Group shall qualify to the “**Winners Pool Knock-Out Round**”;
- (f) The points are awarded as follows:
 - (i) Win two (2) consecutive Legs, the winner is awarded **three (3) points** and the loser is awarded **zero (0) points**; and
 - (ii) Win two (2) Legs but lose one (1) Leg, the winner is awarded **two (2) points** and the loser is awarded **one (1) point**; and
- (g) In the event any Team forfeits the game (for any reason) in the group stage, the said Team will be deemed to have withdrawn from the tournament and all/any games played by the said Team will be declared null and void.

4.9 In the event of a tie in the final placings within a Group, the following factors shall be taken into account to decide the placings within the Group:

- i. Number of Legs won against the number of legs lost by each Team; and
- ii. The result of the “Head-to-Head” game in the Group between the said Teams.

4.10 In the event there are three (3) or more teams tied for the placings and 4.9(i) and 4.9(ii) are unable to determine the placing within the Group, all tied Teams shall enter into the **Bullseye Decider** stipulated at paragraph 5.3(d) below to determine the placing within the Group.

4.11 The Team whose dart lands closest to the center of the bullseye (inner bull) shall be declared the winner of the Group, whilst the 2nd closest shall be the Runner-Up and so on.

Winners Pool Knock-Out Round

4.12 The Winners Pool Knock-Out Round shall comprise of 16 Rounds, Quarter Finals, Semi-Finals, and Grand Final.

4.13 The Winners Pool Knock-Out Round shall follow the same format as the Plate Pool Knock-Out Round set out at paragraph 4.5 above.

[5] “9-Dart Rule”

5.1 This provision applies to all the games played in the Plate Pool unless expressly stated otherwise herein.

5.2 The 9-Darts Rule applies once both teams have successfully secured a “**House**” for a Check-Out in the same round of play.

5.3 The details of the 9-Darts Rule are as follows:

- (a) Upon both teams securing a House, in the same round of throw, the 9-Darts Rule shall be operative;
- (b) Once the 9-Darts Rule is operative, each team shall be allowed to throw a maximum of three rounds of darts to check out and finish the Leg;
- (c) In the event a Team checks out within the 9-Darts Rule, the said Team will win the Leg;
- (d) In the event both Teams are unable to check out within the 9-Darts Rule, the Leg proceeds to a “**Bullseye Decider**” explained as follows:
 - (i) the first named participant in the Team shall throw a single dart at the bullseye;
 - (ii) the Team who started the 1st Leg shall be the first to throw at the Bullseye;
 - (iii) the Team whose dart lands closest to the center of the bullseye (inner bull) shall be declared the winner of the leg; and
 - (iv) In the event of a tie (e.g. both darts land in the bull or equidistant), a re-throw shall occur until a winner is determined.

5.4 The 9-Darts Rule shall not apply to the Preliminary Round, all games in the Winners Pool and the Semi-finals & Final of the Plate Pool Knock-Out Round.

[6] Draw of the Preliminary Round

6.1 Before the tournament begins, there shall be a “*Draw*” event conducted by the Malaysian Bar Darts Convenor with the assistance of the Hosting State Bar Coordinator in charge of the Darts event on a date to be made known to all State Bar Dart Convenors.

6.2 The Draw shall take into consideration the following:

- (a) All seeded pairs and pairs from the same State Bar shall be kept apart in the Preliminary Round;
- (b) The respective State Bar shall, in good faith, notify in their Team Registrations on the status of their team seeding which shall follow the sequence of the Team in the Team Listing; and
- (c) The Malaysian Bar Darts Convenor / Coordinator shall have the sole right to right to review the seeding of the Teams should there be dispute(s) / complaint(s) arising from the Team Listing provided by the State Bars.

[7] Awarding of Points

7.1 Subject to paragraph 7.2 below, points for the MyBar Games 2026 shall be awarded as follows

-
- (a) Winner of Winners Pool: 5.0 Points
- (b) Runner-Up of Winners Pool: 3.0 Points
- (c) Winner of Plate Pool: 2.0 Points

7.2 Each State Bar shall be entitled to points in ONE (1) of the winning categories above only. For instance, if two (2) or more Teams from the same State Bar obtain one of the above placements, the said points shall be awarded to the next best placed Team from a different State Bar.

[8] Prizes and Trophies

8.1 The Challenge Trophies (for both Winner Pool and Plate Pool) as well as the Individual medals will be awarded to the winners of the Winners Pool and the Plate Pool.

8.2 In the event the scenario described in paragraph 7.2 above occurs, the Individual medals shall be awarded to the actual winner of those categories stated in paragraph 7.1 above.

8.3 The Challenge Trophies and the Individual medals shall be awarded at the Closing Dinner of MyBar Games 2026.

[9] **Match Conduct**

General

- 9.1 When the competition is in progress, participants who are not competing in any game should remain behind the players who are competing.
- 9.2 All participants shall act respectfully towards its opponents, other participants, officials and the referees.
- 9.3 All participants shall refrain from conducting any act(s) which constitute annoyance or disturbance to any participants who are competing, such as using offensive language and / or making offensive and / or distracting gestures.
- 9.4 All participants shall refrain from behaving in any unsportsmanlike conduct (e.g. deliberately losing a game or deliberately delaying game play).

Oche (Throwing Line)

- 9.5 All participants must stand behind the oche.
- 9.6 Participant's toe may touch on but not cross the oche.
- 9.7 Stepping over / crossing the oche line before a completed throw (*i.e.* after a dart firmly lands on the dart board) shall constitute a foul and the point for that thrown dart shall not be counted.

Dress Code

- 9.8 Jerseys from each State Bar should be worn.
- 9.9 For safety reasons, all participants are advised and highly encouraged to wear long pants / jeans and covered shoes.

[10] **Referees & Disputes**

Referees

- 10.1 An official referee (scorekeeper / Chalker) shall be appointed for each match for the purpose of keeping track of scores.
- 10.2 Participants may request the scorekeeper for confirmation of remaining points before throwing.
- 10.3 The referee's decision on scoring, rules, and conduct shall be final.

Disputes

10.4 In the spirit of goodwill, friendship and camaraderie, any dispute(s) on the general playing rules and / or the interpretation of the rules herein will be dealt with through amicable discussion by one representative from each side, preferably the Captain or Convenor with the Coordinator of the Darts event.

[11] Registration Of Players

11.1 All players shall be registered as per the format attached and the rules on registration of players set by the Malaysian Bar Sports Committee shall apply.

MyBar Games 2026, Kelantan (12 and 13 June 2026)

PARTICIPATION FORM

Darts

State:

Name of Captain:

Players:

No	Name	NRIC No	BC No / Petition No
Pair A (Seed No. : 1)			
Pair B (Seed No. : 2)			
Pair C (Seed No. : 3)			
Pair D (Seed No. : 4)			
Pair E (Seed No. : 5)			
Pair F (Seed No. : 6)			
Pair G (Seed No. : 7)			

As the State Bar Sports Committee Chairperson, I hereby confirm that the players listed above are eligible to participate in the MyBar Games 2026. The Team Captain and players have been notified of the eligibility rules, and no ineligible players will be allowed to participate.

Name:

Rubber Stamp:

The personal information that you provide to the Malaysian bar, whether now or in the future, may be used, recorded, stored, disclosed or otherwise processed by or on behalf of the Malaysian bar for the purposes of maintenance of a database for this matter, research and audit, and such ancillary services as may be relevant.

E-SPORTS
FORMAT AND RULES

(A) GENERAL RULES

1. MBG eSports 2026 shall consist of **three (3) Categories of Games** to be played by every State:-
 - a. Category One – **Mobile Legends**
 - b. Category Two – **FC 26**
 - c. Category Three – **Tekken 8**
2. Each State may field a maximum of **twelve (12) players**, inclusive of substitute players, for MBG eSports 2026. A single player can represent his/her State in all Categories of Games.
3. All players must be physically present at the game venue to participate, no remote / online participation is allowed.
4. The National Convenor shall have the absolute authority to amend, enforce, or make any necessary modifications to the Rules and Format at any time before or during the competition, as deemed fit to ensure fairness, integrity, and the smooth conduct of the tournament. All decisions made by the National Convenor, including on rules and penalties, shall be final and binding.
5. If there is any dispute whatsoever during MBG eSports 2026, the final decision will be made by the National Convenor and no further complaints and/or protests will be entertained.
6. Only players who are duly registered in their respective State's Participation Form and have complied with all prerequisite procedural requirements and rules of MBG 2026, shall be eligible to participate and compete in the game.
7. All participants must arrive at the designated match area before the scheduled start time. Matches will commence promptly as scheduled, and any team or participant who fails to be ready within five (5) minutes of the scheduled time shall be deemed to have forfeited the match. In the event of unavoidable delays, participants must promptly inform the referees, upon which the National Convenor shall decide whether an exception may be granted. Such decision shall be final and binding.
8. No rematch requests due to whatsoever reasons, including any complained technical issues during the progress of a game match, shall be entertained as of right. However, the National Convenor shall have the right and power to determine, in the interest of fairness, integrity, and the orderly conduct of the tournament, whether a rematch should be permitted in exceptional circumstances.
9. In the event a rematch is allowed, all match settings including character selection, stage, team lineup etc, must strictly remain the same as those in the original match's setting.

10. The use of third-party applications, hacks, cheats, bug exploits and/or any other unauthorised applications during matches is strictly prohibited.
11. Participants must adhere to fair play standards and maintain the integrity of the competition at all times.
12. **Devices and Controllers:**
 - a. Participants shall bring their own devices and controllers.
 - b. Participants shall be responsible for ensuring their readiness and equipment functionality prior to the start of each match. Any request for rematch due to technical error arising from the players' own devices and/or fault (e.g. unstable network / device lags or crashes), shall not be entertained by the National Convenor in general.
 - c. Only officially licensed controllers and devices that are non-programmable, non-macro-enabled, and free from any added functionalities that are banned or regarded as cheating by the National Convenor, shall be allowed.
 - d. For the avoidance of doubt, "licensed controllers" include third-party controllers that are officially licensed by the platform provider and function natively without third-party apps. For example, PlayStation 5-compatible controllers from Hori or Razer are deemed licensed controllers.
 - e. Controllers / devices may be provided by the venue / organiser (if and only if specifically informed so), however any technical issues arising from the use of such controllers / devices negatively affecting the participants' performance, are at their own risk.
 - f. Controller remapping is allowed, provided it is supported by the game or console settings.
 - g. For any game-specific rules and limitations on devices and controllers, please refer to the respective Rules and Formats section.
13. Participants must display good sportsmanship and respectful behaviour towards other players and organisers. Any form of unsportsmanlike conduct — including cheating, harassment, abuse, or acts (by the participant or any third party) that disrupt fair play — may result in disqualification and any other punishment.

(B) GENERAL FORMAT

14. The championship rankings for MBG eSports 2026 shall be determined based on the total points accumulated across all three games, with the top three teams achieving the highest overall scores being awarded as champions.
15. Each game shall be conducted in two stages: an initial Preliminary Round Robin Stage, by a Knockout Stage, as detailed hereinafter.

16. **Stage 1 - Round Robin:**

- a. Total of 8 teams divided into 2 groups of 4 teams each (Group A and Group B).
- b. Each group plays a round robin format (each team plays against every other team in their group once).
- c. Group seeding shall follow the previous year's championship rankings, with the defending champion seeded accordingly. In the case of an inaugural game, no seeding shall apply and teams shall be grouped via open draw.
- d. Upon conclusion of the round robin stage, teams shall be ranked / seeded based on their performance within their respective groups:
 - Group A: Seed 1, Seed 2, Seed 3, Seed 4
 - Group B: Seed 1, Seed 2, Seed 3, Seed 4
- e. In the event of equal scores, tie-breakers shall be determined as follows: for games where draws are possible, score difference will apply; for games without draw outcomes, head-to-head results between the tied teams shall determine final ranking or seeding.

17. **Stage 2 – Knockout:**

- a. In this stage, teams progress through a tournament-style knockout system. Teams from Group A compete against teams from Group B based on their seedings:
 - Group A Seed 1 VS Group B Seed 4
 - Group A Seed 3 VS Group B Seed 2
 - Group B Seed 1 VS Group A Seed 4
 - Group B Seed 3 VS Group A Seed 2
- b. Each match in the knockout stage is a single elimination match.

18. **Points System:**

- a. Each win in Stage 2 – Knockout earns the winning team 1 point:
 - Semi-finalists (4 teams) earn an additional +1 point.
 - Finalists (2 teams) earn an additional +1 point.
 - Champions (1 team) earn an additional +1 point.

19. **Determining the States' Overall Ranking:**

- a. The overall ranking of each State shall be determined based on the total cumulative points earned across all three Categories of Games, as calculated in accordance with the Points System set out in Clause 10 above.

- b. In the event that two States have identical cumulative scores, the total number of individual matches won by each State across both the Round Robin Stage and Knockout Stage will be used as tie breaker.
20. In the event of any conflict between the general rules herein and the specific rules and formats applicable to each game below, the said specific rules and formats shall prevail.
21. Teams must take a screenshot of the final result screen and submit it to the organiser immediately after the match for verification.

(C) SPECIFIC RULES & FORMAT – MOBILE LEGENDS

22. Minimum of five (5) players per team. Substitute members are allowed subject to maximum number of participants allowed per State for MBG.
23. States are allowed to switch team members between matches, but not between rounds in a single match or in rematches.
24. All matches shall be played using the **Custom “6-Ban Draft Pick” 5v5 Mode**, in accordance with the standard tournament settings.
25. Each match shall consist of a single round (best-of-one), except for the Grand Final, which shall be played in a best-of-five format.

(D) SPECIFIC RULES & FORMAT – FC 26

26. Minimum of two (2) players per team. Substitute members are allowed subject to maximum number of participants allowed per State for MBG.
27. States are allowed to switch team members between matches, but not between rounds in a single match or in rematches.
28. Game Format & Settings:
- All matches will adopt the “Kick Off-Classic Match” 2v2 Mode
 - Group Stage: Win= +1 point, Draw= +0.5 point, Loss = 0 point to determine seedings for knockout stages. In the event there are players with the same points, goal difference will be used to determine their seed position.
 - Knockout Stage: will go to extra time, and penalties if the match ends in a draw to determine the winner.
 - Teams with substitutes must decide amongst themselves who will be playing prior to commencement of games.
 - No substitution of players in between games that are ongoing.
 - Game Rules:
 - Ban/Prohibited Use of “Soccer Aid XI”, “Adidas All Star Team”, and “MLS All Star Team” during team selection.
 - All teams are available for selection except the three teams abovementioned.

- “Live form” and “95 overall” disabled for team selection.
- Gameplay Settings:
- Auto shots: OFF
- Assisted Headers: ON
- Shot Assistance: ON
- Timed Finishing: OFF
- Auto Flair Pass: OFF
- Through Pass Assistance: Assisted
- Lobbed Pass Assistance: Assisted
- Ground Pass Assistance: Assisted
- Cross Assistance: Assisted
- Lob Pass: Assisted
- Pass Receiver: LOCK
- Precision Pass Sensitivity: HIGH
- Auto Clearances: OFF
- Clearance Assistance: Classic
- Jockey: Assisted
- Defending: Tactical Defending
- Pass Block Assistance: ON
- Auto Switching on Air Balls and Loose Balls: ON
- Right Stick Switching: Classic
- Right Stick Switching Preference: Player Relative
- Right Stick Switching Sensitivity: 4
- Next Player Switching: Classic
- Player Lock: OFF
- Icon Switching: OFF
- Contextual Dribbling: OFF
- Orbit Dribbling: ON
- Save Assistance: ON
- Trigger Effect: OFF
- User vibration Feedback: OFF
- Match settings:
- Half length: 6 minutes
- Difficulty Level: Legendary
- Game Speed: Default
- Match Conditions: Custom
- Season: Summer
- Dynamic Time of Day: 10pm
- Weather: Clear
- Camera settings:
- Tele
- Rules settings:
- All “ON” except for handball

(E) SPECIFIC RULES & FORMAT – TEKKEN 8

29. Minimum of three (3) players per team. Substitute members are allowed subject to maximum number of participants allowed per State for MBG.
30. States are allowed to switch team members between matches, but not between rounds in a single match or in rematches.
31. Each match shall be conducted in a 3v3 team battle format, comprising three (3) consecutive 1v1 matches between the respective team members of each State. The team that secures two (2) out of the three (3) individual wins shall be declared the winner of the match.
32. The sequence of team members and match order must be confirmed and submitted to the referee prior to the start of each match. No changes to the team lineup shall be allowed once the match has commenced.
33. Players are allowed to change characters between matches, but not between rounds in a single match or in rematches.
34. Game Format & Settings:
 - Game Mode: Versus Mode (Offline)
 - Rounds: Best-of-Five
 - Stage: Random

MyBar Games 2026, Kelantan (12 and 13 June 2026)
PARTICIPATION FORM
E-Sports

State:

Name of Captain:

Players:

No	Name	NRIC No	BC No / Petition No
(1)			
(2)			
(3)			
(4)			
(5)			
(6)			
(7)			
(8)			
(9)			
(10)			
(11)			
(12)			

As the State Bar Sports Committee Chairperson, I hereby confirm that the players listed above are currently in practice or are pupils in chambers, and are thus eligible to take part in the MyBar Games 2026. The Team Captain and players have been notified of the eligibility rules, and no ineligible players will be allowed to participate.

Name:

State:

The personal information that you provide to the Malaysian bar, whether now or in the future, may be used, recorded, stored, disclosed or otherwise processed by or on behalf of the Malaysian bar for the purposes of maintenance of a database for this matter, research and audit, and such ancillary services as may be relevant.

FOOTBALL

FORMAT AND RULES

PREMIER FOOTBALL

1. 9 a-side. No offside rules. Total players registered shall be a minimum of 9 and up to a maximum of 15 players. Minimum 6 players to start.
2. The match duration including Semi-Finals shall be 15 minutes (7-1-7). The Final match shall be 21 minutes (10-1-10).
3. All teams shall be on standby at their pitch 10 minutes before the start of each of their matches.
4. If a team is more than 2 minutes late for the scheduled start of its match, i.e. it does not have a minimum of 6 players on the pitch ready to play, that team shall forfeit the match and the opposing team who is not in default of this rule shall be awarded a walkover with the score of 3-0.
5. Substitutions: Unlimited Rolling substitutions. All substitutions are “rolling substitutions”, i.e. the referee shall not stop the game for substitutions.
6. 3 points are awarded for a win, 1 point for a draw and 0 points for a loss.
7. The teams shall be divided into 2 groups and matches shall be played based on round robin format. The top 2 teams from each group shall progress to Semi-Final. The positions of the teams in the group stage shall be determined by points.
 - 7.1 If 2 or more teams are tied on points at the end of their round robin group stage, their positions shall be determined by goal difference between the teams’ respective goals scored and goals conceded, and if that still results in a tie, the higher number of goals scored, and if the result is still a tie, the head-to-head results of the respective teams.
 - 7.2 If it is still equal after all permutations in rule 8.1, the team with better disciplinary record during the group stage shall advance to Semi-Final.
(n.b.: Disciplinary record shall be tabulated as: red card = minus 3 points, yellow card = minus 1 point, 2 yellow cards and expulsion = minus 3 points).
 - 7.3 If it is still equal after all permutations in rules 8.1 and 8.2, then a toss of a coin shall decide the positions.
8. If at the end of the 15 minutes and 21 minutes for the semi-finals and final respectively, the result is a draw, the winner of the match shall be determined by a best of 5 penalty shoot-out, and if that still results in a draw, sudden death penalties.

VETERANS FOOTBALL

9. Players participating in the veterans' category must be aged 40 years and older at the date of the competition. Veterans Football teams however may have 3 players aged between 35 – 39 years of age at the date of the competition but these 3 players shall not also play for any Premier Football team at the same MyBar Games.
10. 9 a-side. No offside rules. Total players registered shall be a minimum of 9 and up to a maximum of 15 players. Minimum 6 players to start.
11. Duration of each game is 15 minutes (7-1-7) including the Final match.
12. All teams shall be on standby at their pitch 10 minutes before the start of each of their matches.
13. Substitutions: Unlimited Rolling substitutions. All substitutions are “rolling substitutions”, i.e. the referee shall not stop the game for substitutions.
14. 3 points are awarded for a win, 1 point for a draw and 0 points for a loss.
15. The MyBar Games Veterans Football competition shall be played based on one group, round robin format. The top two teams in the group shall play a Final to determine the winner and runners-up of the competition.
16. Rules 7.1, 7.2, 7.3 and 8 (on penalties in the final, if required) above shall apply to Veterans Football.

GENERAL – PREMIER AND VETERANS FOOTBALL

17. Save for the rules stated herein, the tournament rules shall be based on FIFA's Laws of the Game.
18. All teams must present to the organisers/referees the original identification card of all their players before the start of each match.
19. Any player involved in fighting, violent conduct or abusive language shall be immediately banned from the tournament and/or cause his team to be disqualified by the organisers/referees.
20. The decisions of the referees and organisers are final.
21. The tournaments/competitions are subject to the Rules of the MyBar Games (“the Rules”) which include “*Eligibility Rules*” and “*Home State and Import Rules*”, and all participating teams shall comply with the Rules.
22. Every captain and player of participating teams shall be deemed to know the Rules.

Grouping – live draw.

MyBar Games 2026, Kelantan (12 and 13 June 2026)
PARTICIPATION FORM
Football (Premier/Veteran)

State:

Name of Captain:

Players:

No	Name	NRIC No	BC No / Petition No
(1)			
(2)			
(3)			
(4)			
(5)			
(6)			
(7)			
(8)			
(9)			
(10)			
(11)			
(12)			
(13)			
(14)			
(15)			

As the State Bar Sports Committee Chairman, I hereby confirm that the above listed players comply with the applicable eligibility rules and that the Team Captain and all players listed above have been duly notified of the eligibility rules.

Name:

State:

The personal information that you provide to the Malaysian bar, whether now or in the future, may be used, recorded, stored, disclosed or otherwise processed by or on behalf of the Malaysian bar for the purposes of maintenance of a database for this matter, research and audit, and such ancillary services as may be relevant.

GOLF
FORMAT AND RULES

1. The Tournament shall be known as the Malaysian Bar Interstate Golf Competition organised by the Malaysian Bar and hosted by Kelantan BAR.
2. Participation is open to all Members of the Bar representing his/her home state or any other state subject to the Rules of the State Bar Games ('the Rules which include the 'Eligibility Rules & 'Home State Import Rules')
3. The Event shall be held at Kelantan Golf & Country Club on 13/06/2026 at 8:30AM (shot-gun start) and the mode of Play is System 36 Stableford over 18 Holes.
4. Every golfer will be assigned a "game handicap" after the game based on the System 36 Stableford point system calculated as follows;
 - i) 2 points for Par or better;
 - ii) 1 point for Bogey;
 - iii) 0 points for Double Bogey or worst;
 - iv) The total points will be subtracted from 36 and the net figure will be the handicap for the day.
5. All golfers, except the Seniors and Ladies will play from the Blue Tee Box. Golfers who have attained the age of 65 and more on the date of the Tournament have the option of teeing off from the White Tee-Box, whereas the Ladies will tee-off from the Red Tee-Box.
6. To speed up play, golfers who exceed a triple bogey in any hole can record a quadruple bogey and pick up the ball. (The maximum score on a Par 3 is 7 strokes, Par 4 is 8 strokes and Par 5 is 9 strokes)
7. If a ball looks like it could be Out of Bounce (OB) or lost, the player shall play a provisional ball if he/she is still in contention for a triple-bogey. However, if no provisional ball is played because the player did not realise that his/her ball is OB/lost, then to speed up play, the player can play the next stroke from the fairway (no nearer to the pin) at the point where the ball went OB/lost but with a 2-stroke penalty for the said hole.
8. If a ball comes to rest within a 'putter length' (defined as the length of the shaft-excluding the grip – of a conventional putter) of the hole, it will be taken as 'given' with a stroke added on to the total number of strokes already played on that hole. Alternatively, if a circle is drawn around the hole and a ball comes to rest on any part of the circle or inside the circle, it will be taken as 'given' with a stroke added to the total number of strokes already played on the hole.
9. For the purposes of the tournament, it shall be deemed that there is local rule in place allowing distance measuring devices.
10. There will be a Challenge Trophy for the golfer returning the lowest gross score (The R.R Mahendran Memorial Trophy) dan One Team Trophy (Suppiah Interstate Golf Trophy) for the team with the highest Stableford points. The scores of the top 5 golfers from each team will be computed to determine the winning team.

11. If the Stableford points are tied, the team with the lowest average handicap based on the handicap of the day, will be the winner. If the handicaps or the average handicaps are the same then the winning team will be determined “on count back” on the last 3, 6 or 9 holes in that order from the 18th hole.
12. Golfers are requested to note that regardless of inclement weather, the Tournament will only be suspended due to (i) failing light or (ii) where the Club declares that the course is unplayable whereupon the scoring for the uncompleted holes will be determined by the Organising Committee.
13. Play shall be continuous and to facilitate smooth play, all golfers are requested to keep pace with the flight ahead of them.
14. Upon completion of the game, the score card duly signed by the player and the marker shall be handed over to the scorer. Except for the player’s score, other scores must be crossed out before handing over the card. Scores must be clearly written and corrections must be initialed by the marker.
15. Rules applicable shall be the Rules of the R&A USGA Rules of Golf 2023 Edition.
16. In the event of claims and disputes, all claims shall be in accordance with Rule 20.1b (2). Disputes and decisions shall be in accordance with Rule 20.2b.
17. The committee defined in Rule 20 shall consist of the Golf Captain of each participating member state and may appoint a referee, who shall not be a member of the participation team to decide the claims and disputes if the majority of the committee is unable to decide.

Happy Golfing

The Organising Committee
2026 MyBar Games

MyBar Games 2026, Kelantan (12 and 13 June 2026)

PARTICIPATION FORM

Golf

State:

Team Captain:

Players:

No	Name	NRIC No	BC No / Petition No
1)			
2)			
3)			
4)			
5)			
6)			
7)			
8)			
9)			
10)			
11)			
12)			
13)			
14)			
15)			
16)			
17)			
18)			
19)			
20)			

As the State Bar Sports Committee Chairperson, I hereby confirm that the players listed above possess the requisite law degree, and are thus eligible to participate in the MyBar Games 2026. The Team Captain and players have been notified of the eligibility rules, and no ineligible players will be allowed to participate.

Name:

State:

The personal information that you provide to the Malaysian Bar, whether now or in the future, may be used, recorded, stored, disclosed or otherwise processed by or on behalf of the Malaysian Bar for the purposes of maintenance of a database for this matter, research and audit, and such ancillary services as may be relevant.

LADIES' FUTSAL
FORMAT AND RULES

- (1) For 5-a-side (to be on the field at all times), each team shall consist of no less than 5 players, with a maximum of 10 players. The duration for each match will be 10 minutes, each half with 1-minute half-time break in between. The format of the competition (eg group or league) will be confirmed later, depending on the number of teams participating.
- (2) The ball will be deemed to be out of play when it has fully crossed the outline of the court or hits the roof of the court. A kick-in will be awarded to the opposing team when the ball is deemed to be out of play. Players are not allowed to score directly from a kick-in.
- (3) Players must take no more than **5 seconds** to take the kick-in, failing which the kick-in is awarded to the opposing team. Defending players must stand at least 3 feet away from a player that is taking a kick-in, corner or free kick.
- (4) All players are allowed in either penalty areas.
- (5) Goalkeepers are not allowed to handle back passes from teammates. If a goalkeeper handles a back pass from her teammate, the opposing team will be awarded a one-step penalty kick. During a one-step penalty kick, the goalkeeper will not be allowed to move forward from the goal line at all times.
- (6) Players will be able to score from anywhere in open play. Players are allowed to score goals directly from the center circle kick-off and from corner kicks.
- (7) Slide tackles are **not** allowed. The referee has full discretion in determining the legality of the challenge. For any foul committed by a team in its penalty box, the opposing team will be awarded a penalty.
- (8) All substitutions are “rolling substitutions”, ie the referee will not stop the game for substitutions and all players must inform the assistant referee / referee before making a substitution. Time will be stopped for injuries.
- (9) The referees’ decisions shall be final and there will be no recourse to appeal their decisions.

Disciplinary Rules

- (1) The referee may, in his/her discretion, award a yellow or red card for any unsporting conduct, dissent and/or violent play as he/she deems fit.

(2) 2 yellow cards (cumulative throughout the tournament) — one match ban.

Red card — one match ban.

Red for violent conduct — tournament ban.

(3) Appeals/protest involving results or any matter concerning discipline can be made by any player or a team to the Malaysian Bar Convenor (“the Convenor”) on the day of the games itself. The appeal/protest must be lodged within 30 minutes of the incident and be brought to the attention of the Convenor.

(4) Should a player or a team show any dissent or gross unsporting behaviour towards an opponent or the referee, eg abusive language, aggressive behaviour, making threats, fighting, etc (this category is not limited), the referee and/or the Convenor shall have the discretion to disqualify the player or her team from further participation in the competition.

The tournaments/competitions are subject to the Rules of the MyBar Games (“the Rules”), which include “Eligibility Rules” and “Home State and Import Rules”, and all participating teams shall comply with the Rules.

MyBar Games 2026, Kelantan (12 and 13 June 2026)
PARTICIPATION FORM
Ladies' Futsal

State:

Name of Captain:

Players:

No	Name	NRIC No	BC No / Petition No
(1)			
(2)			
(3)			
(4)			
(5)			
(6)			
(7)			
(8)			
(9)			
(10)			

As the State Bar Sports Committee Chairman, I hereby confirm that the above listed players comply with the applicable eligibility rules and that the Team Captain and all players listed above have been duly notified of the eligibility rules.

Name:

State:

The personal information that you provide to the Malaysian bar, whether now or in the future, may be used, recorded, stored, disclosed or otherwise processed by or on behalf of the Malaysian bar for the purposes of maintenance of a database for this matter, research and audit, and such ancillary services as may be relevant.

6 REDS SNOOKER

FORMAT AND RULES

Eligibility and Governance

1. The tournament is open to all members of the Malaysian Bar and pupils-in-chambers registered with the Malaysian Bar, per the Eligibility Rules, Home State and Import Rules, and Combined Team Rules set out in the Rules of the MyBar Games (“**MyBG Rules**”).
2. Save where expressly stated hereinbelow, all games shall be played based on the rules and regulations set by the World Professional Billiards & Snooker Association (“**WPBSA**”) which is found at the following website:

<https://wpbsa.com/wp-content/uploads/Rulebook-Website-Updated-May-2022-2.pdf>

3. Participants shall read the MyBG Rules and WPBSA Rules before the tournament and comply with both sets of rules.

Team Composition and Entry

4. Each participating State Bar may enter a team of one (1) doubles or a maximum of two (2) doubles.
5. Eligible participants shall play for the State Bar that they currently pay subscriptions to/undergo their pupillage at/are last registered with as at the closing date for submission of the MyBar Games (“**MyBG**”) participation forms as announced by the Sports Committee, per Rule 2.1 of the MyBG Rules.
6. As the maximum participants for each State Bar shall be four (4) participants, there shall be no importing of players from any other State Bar, per Rule 2.7 of the MyBG Rules.
7. In the event a State Bar enters two (2) doubles pairs, only its higher-placed doubles pair's points shall contribute to that State Bar's standing at the end of the tournament, per Rule 5.3 of the MyBG Rules.

Format of Play

8. The format of play is 6 Reds Snooker, in which only six (6) red balls shall be used instead of the standard fifteen (15) red balls.
9. In a doubles format, the doubles partners shall take alternate turns at the table after they complete each break (the player continues at the table until he or she misses a pot or fouls) e.g. Player 1 (Team A), Player 1 (Team B), Player 2 (Team A), Player 2 (Team B) and the cycle continues until the frame is concluded.

Tournament Structure

10. The preliminary rounds shall be played in a round-robin format on a best of two (2) frames.
11. The top two (2) scoring doubles pairs of the preliminary rounds shall advance to the knockout stages (semi-finals and finals) which shall be played on a best of three (3) frames.
12. The scoring shall be recorded based on the percentage of games won. In the event of a tie, the following shall take precedence:-
 - (a) the percentage of frames won and lost;
 - (b) the percentage of points scored and lost; and
 - (c) the head-to-head result of the particular match.

Technical Rules and Modifications

13. A lag shall determine which doubles pair has the first break, with alternate breaks to follow thereafter.
14. There shall be no re-spotting of the cue ball after a foul. The incoming opponent may play from where the cue ball lies or request the opponent to continue.

Conduct and Decision

15. All participants shall be appropriately attired and observe the sport's decorum at all times.
 16. Organisers reserve the right to adjust the tournament format, structure or rules due to the number of participants or time constraints including introducing shot clocks or imposing time limits at any time due during the tournament and will endeavour to inform participants of changes early.
 17. All decisions made by the organisers or tournament referees during the tournament shall be final.
-

MyBar Games 2026, Kelantan (12 and 13 June 2026)
PARTICIPATION FORM
6 Reds Snooker

State:

Name of Captain:

Players:

No	Name	NRIC No	BC No / Petition No
1st Doubles			
(1)			
(2)			
2nd Doubles			
(1)			
(2)			

As the State Bar Sports Committee Chairperson, I hereby confirm that the players listed above are currently in practice or are pupils in chambers, and are thus eligible to take part in the MyBar Games 2026. The Team Captain and players have been notified of the eligibility rules, and no ineligible players will be allowed to participate.

Name:

State:

The personal information that you provide to the Malaysian bar, whether now or in the future, may be used, recorded, stored, disclosed or otherwise processed by or on behalf of the Malaysian bar for the purposes of maintenance of a database for this matter, research and audit, and such ancillary services as may be relevant.

TABLE TENNIS
FORMAT AND RULES

1. The latest ITTF rules apply in this tournament.
2. Each team shall consist of a minimum of three (3) male players and one (1) female player. Each team may include up to ten (10) players. Matches should consist of the following format:-
 - a. Men Single
 - b. Men Double
 - c. Lady Single
 - d. Mixed Double; and
 - e. Men Single

Repeat of player allowed, but can only repeat once in another category of the game.

3. The latest International Table Tennis Federation (“ITTF”) rules apply in this tournament.
4. The rule of best of five games shall be implemented for all games.
5. Any teams or players who do not enter the arena after 15 minutes from the opening shall be deemed as abstaining the matches.
6. The game ball: ITTF-approved 40+ mm 3-star competition ball (white or orange).
7. For avoidance of doubt and the spirit of friendship, the state bar organiser of the game for the year and the Malaysian Bar convenor can decide that the rules set out herein can be modified and such modification shall only be limited to that particular year’s games.
8. If the number of state bars taking part is five (5) states or less then the system played will be round robin, ie each team will play against all other teams.
9. If the participating state bars are more than five (5) states, then two (2) groups of equal number of teams will play each other in the group, and the top two teams will enter the second round. The subsequent round will be the kick-out round where the winners will enter the finals. The loser of the second round will play against each other and decide the placing of third (3rd) and fourth (4th).

MyBar Games 2026, Kelantan (12 and 13 June 2026)

PARTICIPATION FORM

Table Tennis

State:

Name of Captain:

Players:

No	Name	NRIC No.	Gender	BC No / Petition No
(1)				
(2)				
(3)				
(4)				
(5)				
(6)				
(7)				
(8)				
(9)				
(10)				

As the State Bar Sports Committee Chairman, I hereby confirm that the above listed players are currently in practice/chambering and are eligible to take part in the MyBar Games 2026. The Team Captain and players have been duly notified of the eligibility rules and no ineligible players will participate.

Name:

State:

The personal information that you provide to the Malaysian bar, whether now or in the future, may be used, recorded, stored, disclosed or otherwise processed by or on behalf of the Malaysian bar for the purposes of maintenance of a database for this matter, research and audit, and such ancillary services as may be relevant.

VOLLEYBALL

FORMAT AND RULES

1. Team Composition

- a. Each team shall consist of a minimum of six (6) and a maximum of twelve (12) eligible players.
- b. There is no limit on the number of female players, but there must be **at least one (1) female player on court** at all times.

2. Substitutions

Substitutions may be made at any time during a dead ball, with no limit on the number of substitutions per set. However, substitutions must follow a reciprocal pattern: a player who is substituted out may only re-enter to replace the same player who substituted them in. Players who have just entered the game may subsequently in the next dead ball be substituted out for different players, provided the reciprocal pattern is maintained for each individual substitution pair.

3. Libero Player

- a. Each team is allowed to register and use one (1) libero player. Unless otherwise stated, the rules governing the Libero shall be in accordance with the 2015 FIVB Official Volleyball Rules.
- b. The libero must wear a jersey of a different colour from the rest of the team.
- c. The libero may only play in the back row, and is not allowed to serve, block, or attempt to block. The libero may not complete an attack hit from anywhere if, at the moment of contact, the ball is entirely higher than the top of the net.

4. Game Format and Scoring

Stage	Set	Time-outs	Points to win	If Deuce
Group	1	1	15	- A team will win the set if ahead by a two-point margin after point 14. - The set will play to the ceiling of point 17.
	2	1	15	- A team will win the set if ahead by a two-point margin after point 14. - The set will play to the ceiling of point 17.
	3	1	15	No deuce.
Semi-Finals	1	2	25	- A team will win the set if ahead by a two-point margin after point 24. - The set will play to the ceiling of point 27.

	2	2	25	- A team will win the set if ahead by a two-point margin after point 24 . - The set will play to the ceiling of point 27 .
	3	2	15	No deuce.
Final & 3rd Placing	1	2	25	- A team will win the set if ahead by a two-point margin after point 24 . - The set will play to the ceiling of point 30 .
	2	2	25	- A team will win the set if ahead by a two-point margin after point 24 . - The set will play to the ceiling of point 30 .
	3	2	15	No deuce.

Key Notes:

- For the group stage, ranking of teams within any group shall be decided according to the 2015 FIVB World League Ranking System (as attached) subject to any necessary adaptation, if applicable.
- "Ceiling point" means the maximum point where the set ends, even if the 2-point lead is not achieved.
- No deuce in Set 3 means the first team to reach 15 wins, regardless of the point margin.
- Teams must request time-outs through the referee or scorer table.
- All matches are best-of-three sets.

5. Punctuality and Walkover

- a. Punctuality is paramount and will be strictly enforced.
- b. Any team that fails to report to the game referee with the minimum required players (including at least one (1) female player) within 10 minutes after the scheduled start time shall forfeit the match.
- c. The default score shall be:
 - i. Group Stage: **8-15, 8-15**
 - ii. Knock-Out Stage: **13-25, 13-25**

6. Score Verification

It is **mandatory** for each team **captain/convenor to sign off** on the official score sheet at the end of every game. This ensures accuracy and accountability in our records.

7. Linesman Duty

Each team is required to designate one (1) player (not currently on court) to serve as linesman during each match. Teams are to rotate this duty fairly among their players.

8. Rule Amendments

- a. The **National Convenor** shall have the final authority in determining the rules and format and reserves the right to **vary them before the start of the Games**.
- b. **No request** to amend or vary the rules shall be entertained on the day of the Games, unless agreed upon with the **unanimous consent** of all participating team captains.

9. Eligibility & Disqualification

- a. All players must meet the eligibility requirements set forth under the **MyBar Games 2026 general eligibility criteria**.
- b. Any team found to have fielded an ineligible player, whether due to failure to meet eligibility requirements, impersonation, or falsification of registration details, the team shall be **disqualified** from the Games in its entirety.
- c. The Organising Committee reserves the right to conduct eligibility checks at any stage of the Game and take appropriate action where necessary.

2015 FIVB World League Ranking System

In order to establish the ranking of teams, the following criteria shall be implemented.

(1) Number of Victories

The teams will be classified in descending order by the number of matches won.

(2) Ranking Points

In case of equality in number of matches won, the ranking points will be considered.

If each match consists of 5 sets:

Results	Winners	Losers
3-0	3 pts	0 pt
3-1	3 pts	0 pt
3-2	2 pts	1 pt

If each match consists of 3 sets (adapted part):

Results	Winners	Losers
2-0	3 pts	0 pt
2-1	2 pts	1 pt

(3) Set Ratio

In the case of equality in the number of matches won and ranking points obtained by two or several teams, they will be classified in descending order by the quotient resulting from the division of the number of all sets won by the number of all sets lost.

(4) Points Ratio

If the tie persists as per the set ratio, the teams will be classified in descending order by the result of dividing all points scored by the total of points lost during all sets.

(5) Still Tied?

If the tie continues as per the point ratio between two teams, the priority will be given to the team which won the last match between them. When the tie-in point ratio is between three or more teams, a new classification of these teams in the terms of points 1, 2 and 3 will be made taking into consideration only the matches in which they were opposed to each other.

MyBar Games 2026, Kelantan (12 and 13 June 2026)
PARTICIPATION FORM
Volleyball (Mixed)

State:

Name of Captain:

Players:

No	Name	NRIC No	BC No / Petition No
(1)			
(2)			
(3)			
(4)			
(5)			
(6)			
(7)			
(8)			
(9)			
(10)			
(11)			
(12)			

As the State Bar Sports Committee Chairperson, I hereby confirm that the players listed above are currently in practice or are pupils in chambers, and are thus eligible to take part in the MyBar Games 2026. The Team Captain and players have been notified of the eligibility rules, and no ineligible players will be allowed to participate.

Name:

State:

The personal information that you provide to the Malaysian bar, whether now or in the future, may be used, recorded, stored, disclosed or otherwise processed by or on behalf of the Malaysian bar for the purposes of maintenance of a database for this matter, research and audit, and such ancillary services as may be relevant.

NETBALL

FORMAT AND RULES

A. RULES

As stated herein, the current International Rules of Netball (IFNA) shall apply in the tournament. See the latest one [here](#).

B. COURT REQUIREMENTS

Equipment:

- 1 x Scoreboard
- 1 x Timer
- 1 x Official Table
- 3 x Official Chairs
- 2 x Players Benches/Chairs (to fit 8pax minimum per team)
- 1 x Match ball (New ball provided by the organisers)

Game Officials:

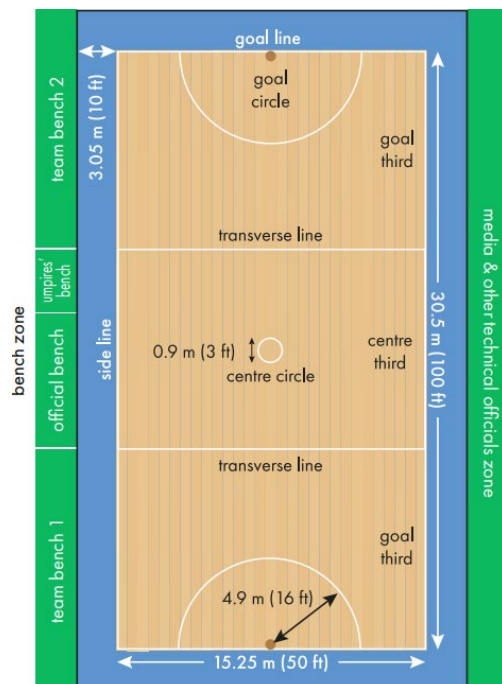
- 1 x Official Score Keeper
- 1 x Official Time Keeper
- 2 x Qualified Referees

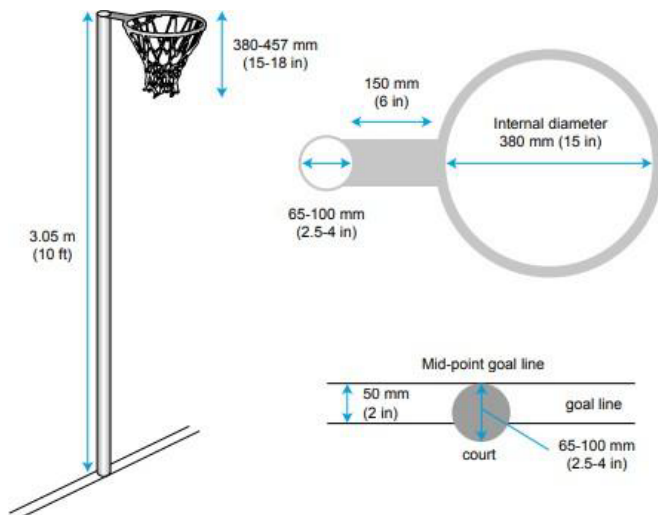
Court

Indoor Court

2 x goal posts (see below image)

1 x standard netball court size as per the international netball rules





C. MATCH FORMAT

1. Medal presentation for top 3 teams.
2. Game time for each match will be 7 mins - 1 min break - 7 mins
3. Round robin grouping:
 - a. winning team will be given 2 points;
 - b. if there is a draw or tie each time will be given 1 point; and
 - c. losing team will be given no points.
4. If there is a draw during semi-finals / 3rd placing / finals then, extra time will consist of 1 or 2 x 3-minute halves, with 1 min break in between (this would also depend on the rules agreed by the umpires prior to the starting of the whole MyBar Games netball match).
5. There will be a maximum of 14 players (including the Captain) in each team.
6. All players must be female.
7. During a match, a minimum of five and maximum of seven players from a team may be on the court at any one time, one of whom must play as Centre.
8. Unlimited rolling substitution.
9. Players may not wear anything that could endanger themselves or other players, specifically:
 - (i) no adornment or jewellery may be worn other than a wedding ring which must be covered with tape;
 - (ii) fingernails must be short and smooth; and
 - (iii) hair must be suitably tied back or covered.

10. MATCH OFFICIALS

1. The host state shall organise at least two certified umpires (Badge 2B or C) for the match.
2. A scorekeeper and a timekeeper will be provided by the organisers.
3. In the event there is no scorekeeper and timekeeper provided by the organisers, each team will provide a scorekeeper and a timekeeper for each game. The scorekeeper and timekeeper may be the same person. The scorekeeper and timekeeper can be a player sitting on the reserve bench, or any person as appointed by the Captain of each team.

4. The organisers will provide a scoreboard and timer. The scoreboard and timer shall be visible from the court.

E. SUBSTITUTIONS AND TEAM CHANGES

1. Both teams have the right to make substitutions and/or team changes:
 - (i) during an interval; or
 - (ii) when play is stopped for injury/illness or blood.
2. The number of substitutions is unlimited provided that the players does not exceed the named 14 players.
3. No players can leave the netball court during match time. A time penalty will be imposed as per the International Netball Rules.

F. TIME & LATE ARRIVALS

1. Each team shall be ready at the venue at least ten (10) minutes before the start of the scheduled game.
2. The organising committee of the host state reserves the right, at any time during the tournament, to adjust the timing of the game fixed in the schedule to expedite the completion of the tournament if circumstances allow.
3. All games must be concluded on the tournament day.
4. A player who arrives after a match has started must be checked by an umpire before taking the court.
5. A late player may not immediately replace a player who is already on the court but may be used subsequently as a substitute.
6. If a position has been left vacant the late arrival may not enter the match while play is in progress but may take the court immediately after:
 - (i) A goal has been scored (in this case the player must play in the position left vacant);
 - (ii) A stoppage for injury/illness or blood; or
 - (iii) An interval.

G. BIBS

1. Each team will wear its own bibs.
2. Each team will bring an extra set of bibs of a different colour.

Joycelyn Goh
Malaysian Bar Convenor for Netball

MyBar Games 2026, Kelantan (12 and 13 June 2026)
PARTICIPATION FORM
Netball

State:

Name of Captain:

Players:

No	Name	NRIC No	BC No/Petition No
(1)			
(2)			
(3)			
(4)			
(5)			
(6)			
(7)			
(8)			
(9)			
(10)			
(11)			
(12)			
(13)			
(14)			

As the State Bar Sports Committee Chairperson, I hereby confirm that the players listed above are currently in practice or are pupils in chambers, and are thus eligible to take part in the MyBar Games 2026. The Team Captain and players have been notified of the eligibility rules, and no ineligible players will be allowed to participate.

Name:

State:

The personal information that you provide to the Malaysian bar, whether now or in the future, may be used, recorded, stored, disclosed or otherwise processed by or on behalf of the Malaysian bar for the purposes of maintenance of a database for this matter, research and audit, and such ancillary services as may be relevant.

PICKLE BALL
FORMAT AND RULES

1. Format:
 - 1.1. Five (5) categories of games:
 - 1.1.1. One (1) Men's Doubles;
 - 1.1.2. One (1) Women's Doubles;
 - 1.1.3. One (1) Mixed Doubles (1 male and 1 female);
 - 1.1.4. One (1) Male Single; and
 - 1.1.5. One (1) Female Single.
2. Each state must register a team consisting of four (4) males and four (4) females. Each state may register 6 reserve players.
3. A state is allowed to import players subject to:
 - 3.1. The relevant eligibility rules; and
 - 3.2. The relevant release letters being obtained.
4. Each player may only participate in one (1) category of games. An exception can be made if a state does not have sufficient players. The exception can be made with the express agreement of the national convenor.
5. The games shall be played in a round robin format. Each game shall be played by way of rally scoring to 15. The first to 15 wins. No deuces or serve to win.
 - 5.1 The semi-finals and finals shall be played by way of rally scoring to 21.
 - 5.2 The receiver of the ball shall be the decision maker if there is a disagreement on line calls. In the event of a dispute the national convenor in consultation with the relevant state's convenor shall decide.
6. All the states shall be divided into two groups at random. The top two (2) teams from each group shall progress to the semi-final stage. The top two (2) teams of each group shall be decided based on number of wins, draws, and points scored (in order of importance).
7. Punctuality is of utmost importance and every team must be on court and ready to play when they are called to play. If a team is not ready to play within 10 minutes of being called to play, the game will be considered a walkover with a score of 15-0.
8. Each state convenor must abide by the rules and format herein. The organiser shall have the final say in drawing up of the rules and format before and/or during the games. In the event of any dispute, the organiser shall have the final say.

MyBar Games 2026, Kelantan (12 to 13 June 2026)
PARTICIPATION FORM
Pickle Ball

State:

Name of Captain:

Players:

No	Name	NRIC No	BC No / Petition No
(1)			
(2)			
(3)			
(4)			
(5)			
(6)			
(7)			
(8)			
(9)			
(10)			
(11)			
(12)			
(13)			
(14)			

As the State Bar Sports Committee Chairperson, I hereby confirm that the players listed above are currently in practice or are pupils in chambers, and are thus eligible to take part in the MyBar Games 2026. The Team Captain and players have been notified of the eligibility rules, and no ineligible players will be allowed to participate.

Name:

State:

The personal information that you provide to the Malaysian bar, whether now or in the future, may be used, recorded, stored, disclosed or otherwise processed by or on behalf of the Malaysian bar for the purposes of maintenance of a database for this matter, research and audit, and such ancillary services as may be relevant.